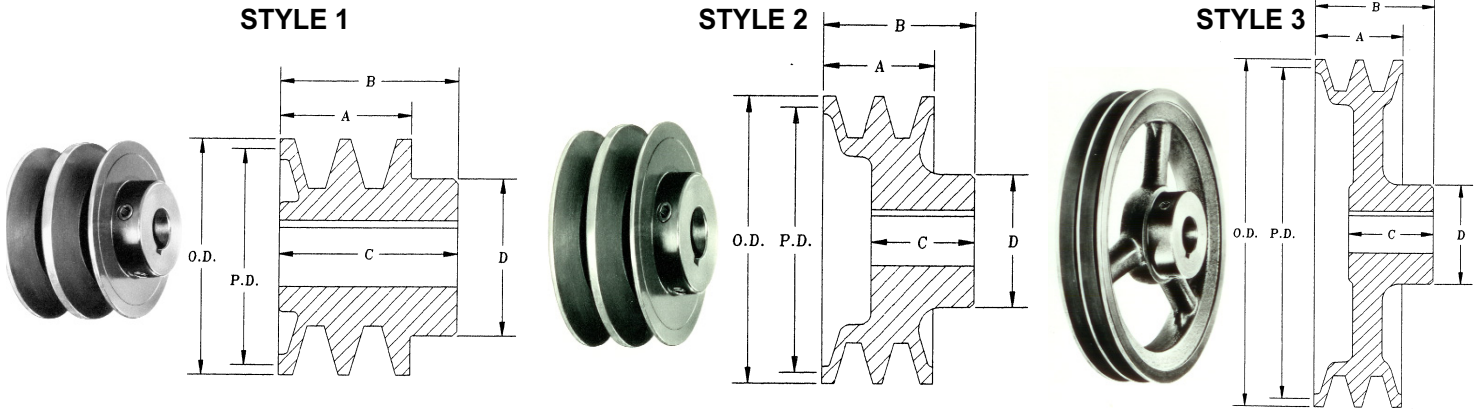




hi-q cast iron sheaves-two groove for both "O" (3L) and "A" (4L) v-belts



**Solid Bar Steel D2200-D2275
Solid Cast Iron D2300-D2350**

Solid Cast Iron D2380-D2550

**Spoke Cast Iron D2600-D3183
Style 3 or Style 6**

D.D "A" BELT INCHES	D.D "O" BELT INCHES	PART NUMBER	LIST PRICE	STYLE	STOCK BORES MARKED "X" ^										MAX BORE INCHES	DIMENSION v - INCHES				APPROX WT. LBS.	
					1/2 In	5/8 In	3/4 In	7/8 In	1 In	1-1/8 In	1-3/16 In	1-1/4 In	1-3/8 In	1-7/16 In		A	B	C	D		
1.7		D2200	\$ 26.80	1	X	X	X	X								7/8	1-1/4	1-11/16	1-11/16	1-5/8	.7
2.0	1.7	D2225	\$ 27.20	1	X	X	X	X	X							1	1-1/4	1-11/16	1-11/16	1-7/8	1.0
2.2	1.9	D2250	\$ 30.00	1	X	X	X	X	X	X						1-1/8	1-1/4	1-11/16	1-11/16	2-1/8	1.4
2.5	2.2	D2275	\$ 34.00	1	X	X	X	X	X	X						1-1/4	1-1/4	1-11/16	1-11/16	2-1/4	1.6
2.7	2.4	D2300	\$ 40.00	1	X	X	X	X	X	X						1-1/2	1-3/8	2	1-7/8	2.45	2.4
3.0	2.7	D2325	\$ 45.20	1	X	X	X	X	X	X						1-1/2	1-3/8	2	1-7/8	2.45	2.8
3.2	2.9	D2350	\$ 46.40	1	X	X	X	X	X	X						1-1/2	1-3/8	2	1-7/8	2.45	3.0
3.5	3.2	D2380	\$ 47.20	2	X	X	X	X	X	X	■	■				1-1/2	1-3/8	2	1-5/8	2.45	3.3
3.7	3.4	D2400	\$ 52.60	2	X	X	X	X	X	X	■	■	■			1-1/2	1-3/8	2	1-5/8	2.45	3.6
4.0	3.7	D2425	\$ 54.20	2		X	X	X	X	X	■	■	■	■		1-1/2	1-3/8	2	1-5/8	2.45	3.8
4.2	3.9	D2450	\$ 56.40	2		X	X	X	X	X	■	■	■	■		1-1/2	1-3/8	2	1-5/8	2.45	3.9
4.5	4.2	D2480	\$ 58.00	2		X	X	X	X	X	■	■	■	■		1-1/2	1-3/8	2	1-5/8	2.45	4.8
4.7	4.4	D2500	\$ 59.20	2		X	X	X	X	X	■	■	■	■		1-1/2	1-3/8	2	1-5/8	2.45	5.1
5.0	4.7	D2525	\$ 59.80	2		X	X	X	X	X	■	■	■	■		1-1/2	1-3/8	2	1-5/8	2.45	5.2
5.2	4.9	D2550	\$ 60.80	2		X	X	X	X	X	■	■	■	■		1-1/2	1-3/8	2	1-5/8	2.45	6.5
5.5	5.2	D2580	\$ 66.47	3			X	X	X	X	X	■	■	■		1-1/2	1-3/8	2	1-5/8	2-1/2	4.5
5.7	5.4	D2600	\$ 67.80	3		X	X	X	X	X	■	■	■	■		1-1/2	1-3/8	2	1-5/8	2-1/2	4.9
6.2	5.9	D2650	\$ 72.00	3			X	X	X	X	■	■	■	■		1-1/2	1-3/8	2	1-5/8	2-1/2	5.4
6.7	6.4	D2700	\$ 80.00	3		X	X	X	X	X	■	■	■	■		1-1/2	1-3/8	2	1-5/8	2-1/2	6.1
7.0	6.7	D2725	\$ 80.80	3		X	X	X	X	X	■	■	■	■		1-1/2	1-3/8	2	1-5/8	2-1/2	6.4
7.7	7.4	D2800	\$ 87.60	3			X	X	X	X	X	■	■	■		1-1/2	1-3/8	2	1-5/8	2-1/2	6.7
8.7	8.4	D2900	\$ 95.60	6			X	X	X	X	X	■	■	■		1-1/2	1-3/8	2	1-5/8	2-1/2	9.0
9.0	8.7	D2925	\$ 95.94	6			X	X	X	X	X	■	■	■		1-1/2	1-3/8	2	1-5/8	2-1/2	9.3
9.7	9.4	D3100	\$102.40	6			X	X	X	X	X	X	■	■		1-1/2	1-3/8	2	1-5/8	2-1/2	9.9
10.0	9.7	D3103	\$103.20	6			X	X	X	X	X	X	■	■		1-1/2	1-3/8	2	1-5/8	2-1/2	10.0
10.7	10.4	D3110	\$111.20	6			X	X	X	■	X	■	■	X		1-1/2	1-3/8	2	1-5/8	2-1/2	11.4
11.7	11.4	D3120	\$122.00	6			X	X	X	X	X	■	■	X		1-1/2	1-3/8	2	1-5/8	2-1/2	11.6
12.0	11.7	D3123	\$122.60	6			X	X	X	X	X	■	■	X		1-1/2	1-3/8	2	1-5/8	2-1/2	12.4
14.0	13.7	D3143	\$152.60	6				X	■	X	■	X	X	X		1-1/2	1-3/8	2	1-5/8	2-1/2	15.6
15.0	14.7	D3153	\$176.20	6				X	■	X	■	X	X	X		1-1/2	1-3/8	2	1-7/8	2-1/2	16.0
18.0	17.7	D3183	\$222.00	6				X	■	X	■	X	X	X		1-1/2	1-3/8	2	1-7/8	2-1/2	20.5

^ For Standard Keyway Dimension Refer to Page 3

■ Non-Stock Bores are Special and Noncancellable, Additional Charges Apply. For Prompt Service on Non-stock and Bores Smaller Than Standard, Refer to HQ Bushed Line, Page 9.

v Held to Commercially Acceptable Tolerances

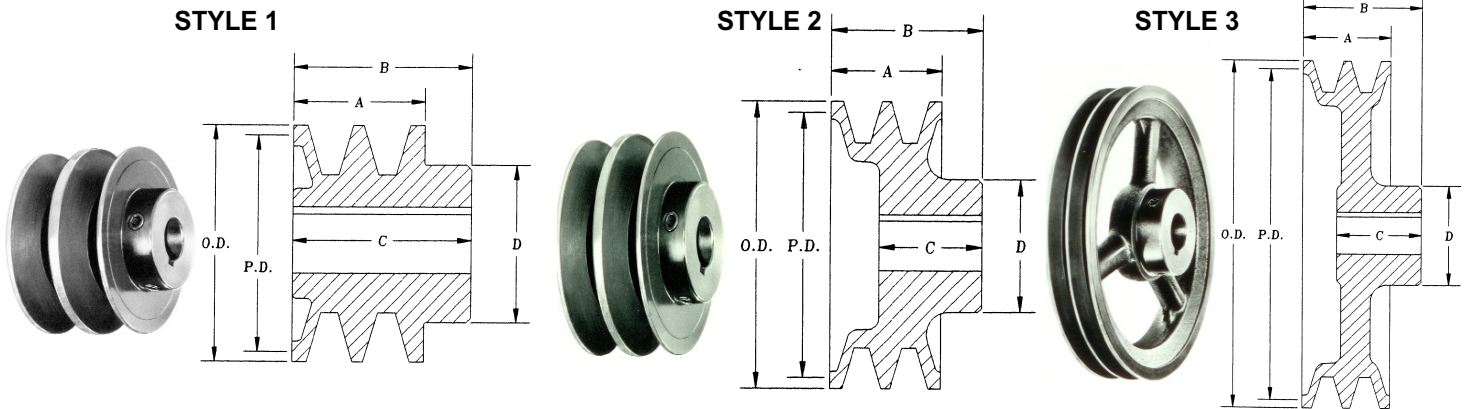
Two Setscrews-Hollow Head, Cup Point.
D2200 to D2275 One Setscrew Only.



maurey

hi-q cast iron sheaves-two groove

for both "A" (4L) and "B" (5L) v-belts



Solid Bar Steel D4250-D4280
Solid Cast Iron D4300-D4380

Solid Cast Iron D4400-D4540

Spoke Cast Iron D4560-D5188
Style 3 or Style 6

DIAMETER			PART NUMBER	LIST PRICE	STYLE	STOCK BORES MARKED "X" ^										MAX BORE INCHES	DIMENSION ▾ - INCHES				APPROX WT. LBS.	
P.D./ O.D. INCHES	"B" BELT INCHES	"A" BELT INCHES				1/2 In	5/8 In	3/4 In	7/8 In	1 In	1-1/8 In	1-3/16 In	1-1/4 In	1-3/8 In	1-7/16 In		A	B	C	D		
2.45	2.1		D4250	\$ 37.20	1	X	X	X	X	X	X						1-1/8	1-9/16	2	2	1-3/4	1.2
2.75	2.4	2.0	D4280	\$ 38.00	1	X	X	X	X	X	X						1-1/8	1-9/16	2	2	2	1.0
2.95	2.6	2.2	D4300	\$ 42.00	1	X	X	X	X	X	X						1-1/8	1-3/4	2-3/8	2-1/4	2.45	2.4
3.15	2.8	2.4	D4320	\$ 44.80	1	X	X	X	X	X	X						1-3/8	1-3/4	2-3/8	2-1/4	2.45	2.8
3.35	3.0	2.6	D4340	\$ 46.80	1	X	X	X	X	X	X						1-1/2	1-3/4	2-3/8	2-1/4	2.45	3.3
3.55	3.2	2.8	D4360	\$ 48.80	1	X	X	X	X	X	X						1-1/2	1-3/4	2-3/8	2-1/4	2.45	3.6
3.75	3.4	3.0	D4380	\$ 50.20	1		X	X	X	X	X						1-1/2	1-3/4	2-3/8	2-1/4	2.45	3.9
3.95	3.6	3.2	D4400	\$ 52.60	2		X	X	X	X	X						1-1/2	1-3/4	2-3/8	1-9/16	2.45	3.9
4.15	3.8	3.4	D4420	\$ 56.40	2		X	X	X	X	X						1-1/2	1-3/4	2-3/8	1-9/16	2.45	4.1
4.35	4.0	3.6	D4440	\$ 57.00	2		X	X	X	X	X						1-1/2	1-3/4	2-3/8	1-9/16	2.45	4.1
4.55	4.2	3.8	D4460	\$ 58.80	2		X	X	X	X	X						1-1/2	1-3/4	2-3/8	1-9/16	2.45	4.5
4.75	4.4	4.0	D4480	\$ 60.80	2		X	X	X	X	X						1-1/2	1-3/4	2-3/8	1-9/16	2.45	5.2
4.95	4.6	4.2	D4500	\$ 62.40	2		X	X	X	X	X						1-1/2	1-3/4	2-3/8	1-9/16	2.45	5.5
5.15	4.8	4.4	D4520	\$ 65.60	2		X	X	X	X	X						1-1/2	1-3/4	2-3/8	1-9/16	2.45	5.3
5.35	5.0	4.6	D4540	\$ 67.20	2		X	X	X	X	X						1-1/2	1-3/4	2-3/8	1-9/16	2.45	6.3
5.55	5.2	4.8	D4560	\$ 69.60	3			X	X	X	X						1-5/8	1-3/4	2-3/8	1-5/8	2-1/2	5.2
5.75	5.4	5.0	D4580	\$ 70.60	3			X	X	X	X						1-5/8	1-3/4	2-3/8	1-5/8	2-1/2	5.7
5.95	5.6	5.2	D4600	\$ 72.00	3			X	X	X	X						1-5/8	1-3/4	2-3/8	1-5/8	2-1/2	5.7
6.15	5.8	5.4	D4620	\$ 76.20	3			X	X	X	X						1-5/8	1-3/4	2-3/8	1-5/8	2-1/2	6.1
6.35	6.0	5.6	D4640	\$ 80.40	3			X	X	X	X						1-5/8	1-3/4	2-3/8	1-5/8	2-1/2	6.9
6.55	6.2	5.8	D4660	\$ 85.20	3			X	X	X	X						1-5/8	1-3/4	2-3/8	1-5/8	2-1/2	6.9
6.75	6.4	6.0	D4680	\$ 89.60	3			X	■	X	X						1-5/8	1-3/4	2-3/8	1-5/8	2-1/2	7.0
6.95	6.6	6.2	D4700	\$ 90.40	3			X	X	X	X						1-5/8	1-3/4	2-3/8	1-5/8	2-1/2	7.5
7.15	6.8	6.4	D4720	\$ 92.40	3			X	X	X	X						1-5/8	1-3/4	2-3/8	1-5/8	2-1/2	7.9
7.75	7.4	7.0	D4780	\$ 95.00	3			X	X	X	X						1-5/8	1-3/4	2-3/8	1-5/8	2-1/2	8.0
8.75	8.4	8.0	D4880	\$ 98.00	6				X	X	X						1-5/8	1-3/4	2-3/8	1-5/8	2-1/2	9.2
8.95	8.6	8.2	D4900	\$100.00	6				X	X	X						1-5/8	1-3/4	2-3/8	1-5/8	2-1/2	10.5
9.75	9.4	9.0	D4980	\$115.60	6				X	■	X						1-5/8	1-3/4	2-3/8	1-5/8	2-1/2	11.7
10.75	10.4	10.0	D5108	\$122.72	6				X	X	X						1-5/8	1-3/4	2-3/8	1-5/8	2-1/2	12.9
11.35	11.0	10.6	D5114	\$128.40	6				X	X	X						1-5/8	1-3/4	2-3/8	1-5/8	2-1/2	13.5
11.75	11.4	11.0	D5118	\$132.68	6				X	X	X						1-5/8	1-3/4	2-3/8	1-5/8	2-1/2	16.3
12.75	12.4	12.0	D5128	\$149.20	6				X	X	X						1-5/8	1-3/4	2-3/8	1-5/8	2-1/2	15.5
13.95	13.6	13.2	D5140	\$158.80	6				X	X	X						1-5/8	1-3/4	2-3/8	1-3/4	2-1/2	18.4
15.75	15.4	15.0	D5158	\$186.40	6				X	X	X						1-5/8	1-3/4	2-3/8	1-3/4	2-1/2	23.6
18.75	18.7	18.0	D5188	\$239.20	6				X	X	X						1-5/8	1-3/4	2-3/8	1-3/4	2-1/2	25.0

^ For Standard Keyway Dimension Refer to Page 3

▾ Held to Commercially Acceptable Tolerances

■ Non-Stock Bores are Special and Noncancellable Additional Charges Apply. For Prompt Service on Non-stock and Bores Smaller than Standard, Refer to HQ Bushed Line, Page 9.

Two Setscrews-Hollow Head, Cup Point. D4250 to D4280 One Setscrew Only.