



HIGH TORQUE DRIVE SPROCKETS

Performance Advantages

Maurey High Torque Sprockets provide a reliable, economical and trouble-free alternative to transmit power and reduce drive weight and cost when compared to chain drives and other types of belt drives.

Wide Range of Load Capacities

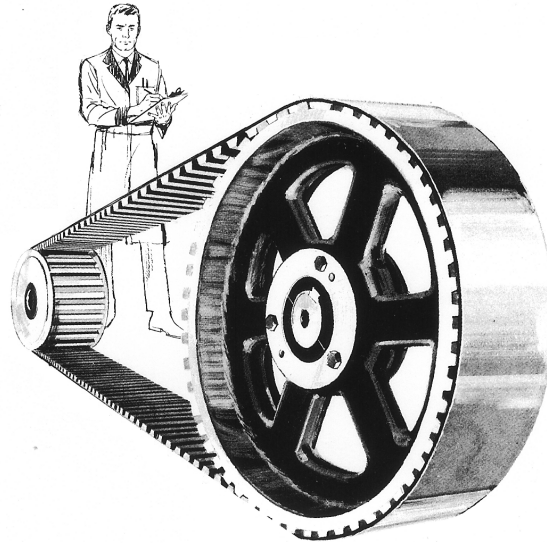
High Torque Sprockets are designed for high capacity performance exceeding the traditional limitations of chain and belt drives. The load capacity varies from fractional horsepower ratings to more than 600 H.P.

Engineered for Durability

High Torque Sprocket Drives are designed to minimize interference between the belt and sprocket during mesh, providing greater horsepower without slippage or speed variation. By designing belt teeth to disperse critical stresses, belt performance is improved, assuring longer belt life.

Space Saving Design

When compared to other belt systems, High Torque Sprockets permit a narrower drive, reducing the size of the drive and cutting component cost.



Alterations

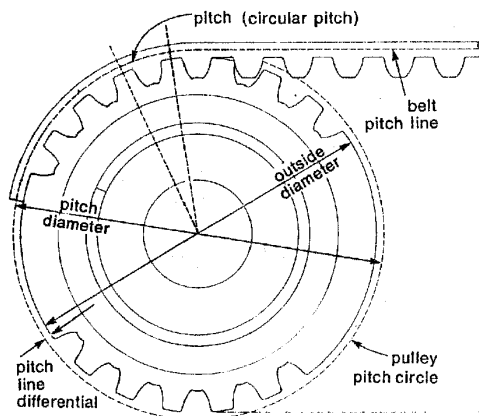
Maurey will customize your High Torque sprocket needs to suit the application in which it is used. See list prices for below for various alteration charges

Rebore Minimum Plain Bore - List Price \$40.00

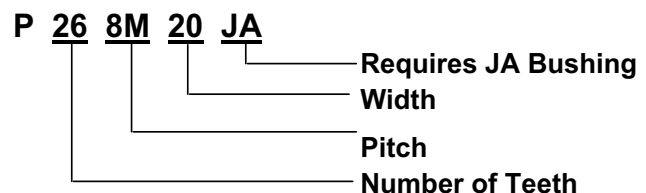
Keyway - List Price \$9.00

Set Screw - List Price \$9.00

Contact Maurey Customer Service for quantity breaks for alterations



Part Number Description



14M stock sprocket dimensions high torque drives

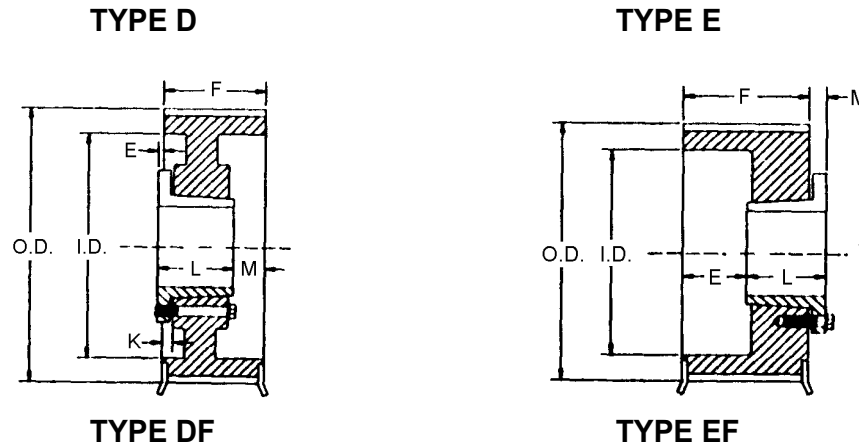
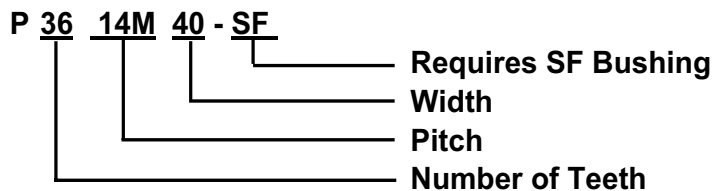


Figure Following Letter in Column Headed "TYPE" in Table Below Indicates Sheave Construction
1 - Solid, No Web. 2 - Web. 3 - Arms "F" Indicates Flanged Pulley

Part Number Explanation



FOR BELTS 40MM (1.57 in.) WIDE • 14MM PITCH (14M-40) FACE WIDTH (F)=2-1/8

SPROCKET NUMBER	LIST** PRICE	NUMBER OF TEETH	DIAMETERS				TYPE	DIMENSIONS(INCHES)				BORE RANGE		APPROX WT. LBS.
			P.D.	O.D.		I.D.		E	K	L	M	Min	Max •	
				Sprocket	Flange									
P28-14M-40-SK	\$ 85.00	28	4.912	4.802	5.56	3.12	E1F	7/8	0	1-7/8	5/8	1/2	2-5/8	7.2
P29-14M-40-SK	\$ 90.00	29	5.088	4.978	5.56	3.12	E1F	7/8	0	1-7/8	5/8	1/2	2-5/8	7.9
P30-14M-40-SK	\$ 93.00	30	5.263	5.153	5.56	3.92	D1F	3/16	7/16	1-7/8	7/16	1/2	2-5/8	7.6
P32-14M-40-SK	\$ 102.00	32	5.614	5.504	6.09	3.92	D1F	3/16	7/16	1-7/8	7/16	1/2	2-5/8	9.2
P34-14M-40-SK	\$ 105.00	34	5.965	5.855	6.50	4.06	D1F	3/16	7/16	1-7/8	7/16	1/2	2-5/8	10.6
P36-14M-40-SF	\$ 115.00	36	6.316	6.206	6.87	4.84	D1F	3/16	7/16	2	5/16	1/2	2-5/16	11.9
P38-14M-40-SF	\$ 130.00	38	6.667	6.557	7.22	4.94	D1F	3/16	7/16	2	5/16	1/2	2-5/16	13.3
P40-14M-40-SF	\$ 130.00	40	7.018	6.908	7.50	5.06	D1F	3/16	7/16	2	5/16	1/2	2-5/16	15.1
P44-14M-40-E	\$ 155.00	44	7.720	7.610	8.34	6.12	D1F	5/8	1/4	2-5/8	1/8	7/8	3-1/2	21.7
P48-14M-40-E	\$ 165.00	48	8.421	8.311	8.90	6.50	D1F	5/8	1/4	2-5/8	1/8	7/8	3-1/2	25.9
P52-14M-40-E	\$ 172.00	52	9.123	9.013	9.68	7.18	D1F	5/8	1/4	2-5/8	1/8	7/8	3-1/2	30.0
P56-14M-40-E	\$ 175.00	56	9.825	9.715	10.38	7.88	D1F	5/8	1/4	2-5/8	1/8	7/8	3-1/2	34.6
P60-14M-40-E	\$ 227.00	60	10.527	10.417	11.06	8.50	D1F	5/8	1/4	2-5/8	1/8	7/8	3-1/2	39.4
P64-14M-40-E	\$ 260.00	64	11.229	11.119	11.68	9.25	D2F	5/8	1/4	2-5/8	1/8	7/8	3-1/2	35.7
P68-14M-40-E	\$ 265.00	68	11.930	11.820	12.50	10.00	D2F	5/8	1/4	2-5/8	1/8	7/8	3-1/2	38.0
P72-14M-40-E	\$ 272.00	72	12.632	12.522	13.19	10.69	D2F	5/8	1/4	2-5/8	1/8	7/8	3-1/2	36.8
P80-14M-40-E	\$ 280.00	80	14.036	13.926	14.63	12.13	D2F	5/8	1/4	2-5/8	1/8	7/8	3-1/2	41.1
P90-14M-40-E	\$ 288.00	90	15.790	15.680	14.50	14.50	D3	5/8	1/4	2-5/8	1/8	7/8	3-1/2	42.9
P112-14M-40-E	\$ 365.00	112	19.650	19.540	18.38	18.38	D3	5/8	1/4	2-5/8	1/8	7/8	3-1/2	53.8
P144-14M-40-E	\$ 480.00	144	25.264	25.154	23.88	23.88	D3	5/8	1/4	2-5/8	1/8	7/8	3-1/2	80.9

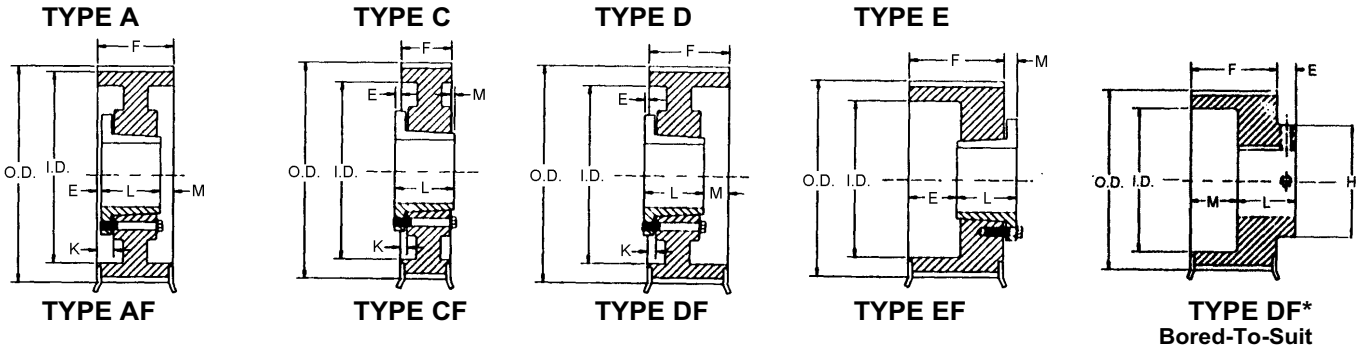
Weights for all FUL-GRIP bushed items are approximate and include the bushing.

• Maximum bore without keyway

FUL-GRIP is a registered trademark of Maurey Manufacturing Corporation

** List Prices Shown are for Sheave Only. Refer to Page 15 for Bushing List Price and Dimensions.

14M stock sprocket dimensions high torque drives



**Figure Following Letter in Column Headed "TYPE" in Table Below Indicates Sheave Construction
1 - Solid, No Web. 2 - Web. 3 - Arms "F" Indicates Flanged Pulley**

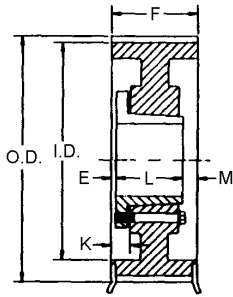
FOR BELTS 55MM (2.17 in.) WIDE • 14MM PITCH (14M-55) FACE WIDTH (F) = 2-3/4														
SPROCKET NUMBER	LIST** PRICE	NUMBER OF TEETH	DIAMETERS				TYPE	DIMENSIONS(INCHES)				BORE RANGE		APPROX WT. LBS.
			P.D	O.D.		I.D.		E	K	L	M	Min	Max •	
P28-14M-55-SK	\$ 100.00	28	4.912	4.802	5.56	3.12	E1F	1-1/2	0	1-7/8	5/8	1/2	2-5/8	8.5
P29-14M-55-SK	\$ 105.00	29	5.088	4.978	5.56	3.12	E1F	1-1/2	0	1-7/8	5/8	1/2	2-5/8	9.5
P30-14M-55-SK	\$ 108.00	30	5.263	5.153	6.09	3.92	A1F	1/8	3/4	1-7/8	3/4	1/2	2-5/8	8.7
P32-14M-55-SK	\$ 114.00	32	5.614	5.504	6.09	3.92	A1F	1/8	3/4	1-7/8	3/4	1/2	2-5/8	10.7
P34-14M-55-SK	\$ 120.00	34	5.965	5.855	6.50	4.06	A1F	1/8	3/4	1-7/8	3/4	1/2	2-5/8	12.5
P36-14M-55-SF	\$ 125.00	36	6.316	6.206	6.87	4.84	A1F	1/8	3/4	2	5/8	1/2	2-15/16	13.6
P38-14M-55-SF	\$ 140.00	38	6.667	6.557	7.22	4.94	A1F	1/8	3/4	2	5/8	1/2	2-15/16	15.2
P40-14M-55-SF	\$ 143.00	40	7.018	6.908	7.50	5.06	A1F	1/8	3/4	2	5/8	1/2	2-15/16	17.4
P44-14M-55-E	\$ 165.00	44	7.720	7.610	8.34	6.12	D1F	5/16	9/16	2-5/8	7/16	7/8	3-1/2	23.8
P48-14M-55-E	\$ 170.00	48	8.421	8.311	8.90	6.50	D1F	5/16	9/16	2-5/8	7/16	7/8	3-1/2	28.8
P52-14M-55-E	\$ 178.00	52	9.123	9.013	9.68	7.18	D1F	5/16	9/16	2-5/8	7/16	7/8	3-1/2	33.2
P56-14M-55-E	\$ 180.00	56	9.825	9.715	10.38	7.88	D1F	5/16	9/16	2-5/8	7/16	7/8	3-1/2	38.0
P60-14M-55-E	\$ 240.00	60	10.527	10.417	11.06	8.50	D1F	5/16	9/16	2-5/8	7/16	7/8	3-1/2	43.3
P64-14M-55-F	\$ 275.00	64	11.229	11.119	11.68	9.25	D1F	7/8	1/8	3-5/8	0	1	4	62.6
P68-14M-55-F	\$ 285.00	68	11.930	11.820	12.50	10.00	D2F	7/8	1/8	3-5/8	0	1	4	54.5
P72-14M-55-F	\$ 290.00	72	12.632	12.522	13.19	10.69	D2F	7/8	1/8	3-5/8	0	1	4	58.0
P80-14M-55-F	\$ 338.00	80	14.036	13.926	14.63	12.13	D2F	7/8	1/8	3-5/8	0	1	4	61.9
P90-14M-55-F	\$ 345.00	90	15.790	15.680	16.40	14.50	D3	7/8	1/8	3-5/8	0	1	4	58.1
P112-14M-55-F	\$ 405.00	112	19.650	19.540	20.25	18.38	D3	7/8	1/8	3-5/8	0	1	4	72.2
P144-14M-55-F	\$ 520.00	144	25.264	25.154	26.00	23.88	D3	7/8	1/8	3-5/8	0	1	4	106.3
P168-14M-55-F	\$ 670.00	168	29.475	29.365	30.25	28.25	D3	7/8	1/8	3-5/8	0	1	4	110.2
P192-14M-55-F	\$ 840.00	192	33.686	33.576	34.50	32.38	D3	7/8	1/8	3-5/8	0	1	4	133.2
P216-14M-55-F	\$ 1,356.00	216	37.896	37.786	38.75	36.62	D3	7/8	1/8	3-5/8	0	1	4	161.6

FOR BELTS 85MM (3.35 in.) WIDE • 14MM PITCH (14M-85) FACE WIDTH (F) = 4														
SPROCKET NUMBER	LIST** PRICE	NUMBER OF TEETH	DIAMETERS				TYPE	DIMENSIONS(INCHES)				BORE RANGE		APPROX WT. LBS.
			P.D	O.D.		I.D.		E	K	L	M	Min	Max •	
P28-14M-85-MPB	\$ 130.00	28	4.912	4.802	5.56	3.12	D1F*	1	3-11/16	4	1	1-1/4*	2-11/16	16.1
P29-14M-85-MPB	\$ 131.00	29	5.088	4.978	5.56	3.12	D1F*	1	3-11/16	4	1	1-1/4*	2-11/16	17.5
P30-14M-85-SK	\$ 132.00	30	5.263	5.153	5.56	3.92	A1F	3/4	1-3/8	1-7/8	1-3/8	1/2	2-5/8	10.8
P32-14M-85-SK	\$ 138.00	32	5.614	5.504	6.09	3.92	A1F	3/4	1-3/8	1-7/8	1-3/8	1/2	2-5/8	13.7
P34-14M-85-SK	\$ 150.00	34	5.965	5.855	6.50	4.06	A1F	3/4	1-3/8	1-7/8	1-3/8	1/2	2-5/8	16.2
P36-14M-85-SF	\$ 154.00	36	6.316	6.206	6.87	4.84	A1F	3/4	1-3/8	2	1-1/4	1/2	2-15/16	16.9
P38-14M-85-SF	\$ 160.00	38	6.667	6.557	7.22	4.94	A1F	3/4	1-3/8	2	1-1/4	1/2	2-15/16	19.1
P40-14M-85-SF	\$ 168.00	40	7.018	6.908	7.50	5.06	A1F	3/4	1-3/8	2	1-1/4	1/2	2-15/16	22.1
P44-14M-85-E	\$ 180.00	44	7.720	7.610	8.34	6.12	A1F	5/16	1-3/16	2-5/8	1-1/16	7/8	3-1/2	27.9
P48-14M-85-E	\$ 188.00	48	8.421	8.311	8.90	6.50	A1F	5/16	1-3/16	2-5/8	1-1/16	7/8	3-1/2	34.5
P52-14M-85-E	\$ 220.00	52	9.123	9.013	9.68	7.18	A1F	5/16	1-3/16	2-5/8	1-1/16	7/8	3-1/2	39.5
P56-14M-85-F	\$ 245.00	56	9.825	9.715	10.38	7.88	D1F	1/4	3/4	3-5/8	5/8	7/8	3-1/2	54.8
P60-14M-85-F	\$ 290.00	60	10.527	10.417	11.06	8.50	D1F	1/4	3/4	3-5/8	5/8	1	4	62.8
P64-14M-85-F	\$ 300.00	64	11.229	11.119	11.68	9.25	D1F	1/4	3/4	3-5/8	5/8	1	4	70.8
P68-14M-85-F	\$ 315.00	68	11.930	11.820	12.50	10.00	D2F	1/4	3/4	3-5/8	5/8	1	4	64.1
P72-14M-85-F	\$ 320.00	72	12.632	12.522	13.19	10.69	D2F	1/4	3/4	3-5/8	5/8	1	4	68.6
P80-14M-85-F	\$ 380.00	80	14.036	13.926	14.63	12.13	D2F	1/4	3/4	3-5/8	5/8	1	4	71.0
P90-14M-85-F	\$ 390.00	90	15.790	15.680	16.40	14.50	D3	1/4	3/4	3-5/8	5/8	1	4	68.5
P112-14M-85-F	\$ 460.00	112	19.650	19.540	20.25	18.25	D3	1/4	3/4	3-5/8	5/8	1	4	89.2
P144-14M-85-F	\$ 590.00	144	25.264	25.154	26.00	23.88	D3	1/4	3/4	3-5/8	5/8	1	4	118.3
P168-14M-85-J	\$ 780.00	168	29.475	29.365	30.25	28.12	D3	1/4	3/4	4-1/2	5/8	1-7/16	4-1/2	153.0
P192-14M-85-F	\$ 940.00	192	33.686	33.576	34.50	32.38	D3	1/4	3/4	4-1/2	5/8	1-7/16	4-1/2	182.0
P216-14M-85-J	\$ 1,470.00	216	37.896	37.786	38.75	36.38	D3	1/4	3/4	4-1/2	5/8	1-7/16	4-1/2	244.0

Weights for all FUL-GRIP bushed items are approximate and include the bushing. FUL-GRIP is a registered trademark of Maurey Manufacturing Corporation. ** List Prices Shown are for Sheave Only. Refer to Page 15 for Bushing List Price and Dimensions.

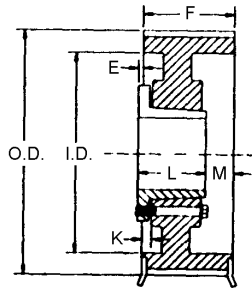
* Minimum plain bore with no keyway or setscrews
• Maximum bore without keyway

TYPE A

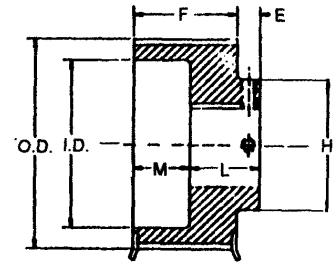


TYPE AF

TYPE D



TYPE DF



**TYPE DF*
Bored-To-Suit**

Figure Following Letter in Column Headed "TYPE" in Table Below Indicates Sheave Construction
1 - Solid, No Web. 2 - Web. 3 - Arms "F" Indicates Flanged Pulley

FOR BELTS 115MM (4.53 in.) WIDE • 14MM PITCH (14M-115)										FACE WIDTH (F) = 5-1/4				
SPROCKET NUMBER	LIST** PRICE	NUMBER OF TEETH	DIAMETERS				TYPE	DIMENSIONS(INCHES)				BORE RANGE		APPROX WT. LBS.
			P.D	O.D.		I.D.		E	K	L	M	Min	Max •	
				Sprocket	Flange									
P28-14M-115-MPB	\$ 160.00	28	4.912	4.808	5.56	3.12	D1F*	1-1/4	3-11/16	5	1-1/2	1-1/4*	2-11/16	20.7
P29-14M-115-MPB	\$ 165.00	29	5.088	4.983	5.56	3.12	D1F*	1-1/4	3-11/16	5	1-1/2	1-1/4*	2-11/16	22.5
P30-14M-115-SK	\$ 169.00	30	5.263	5.157	6.09	3.92	A1F	1-3/8	2	1-7/8	2	1/2	2-11/16	12.9
P32-14M-115-SK	\$ 172.00	32	5.614	5.507	6.09	3.92	A1F	1-3/8	2	1-7/8	2	1/2	2-5/8	16.6
P34-14M-115-SK	\$ 183.00	34	5.965	5.858	6.50	4.06	A1F	1-3/8	2	1-7/8	2	1/2	2-5/8	19.9
P36-14M-115-SF	\$ 190.00	36	6.316	6.208	6.87	4.84	A1F	1-3/8	2	2	1-7/8	1/2	2-15/16	20.2
P38-14M-115-SF	\$ 200.00	38	6.667	6.559	7.22	4.94	A1F	1-3/8	2	2	1-7/8	1/2	2-15/16	22.9
P40-14M-115-SF	\$ 208.00	40	7.018	6.909	7.50	5.06	A1F	1-3/8	2	2	1-7/8	1/2	2-15/16	26.7
P44-14M-115-E	\$ 220.00	44	7.720	7.610	8.34	6.12	A1F	29/32	1-13/16	2-5/8	1-23/32	7/8	3-1/2	32.1
P48-14M-115-E	\$ 236.00	48	8.421	8.311	8.90	6.50	A1F	29/32	1-13/16	2-5/8	1-23/32	7/8	3-1/2	40.1
P52-14M-115-F	\$ 275.00	52	9.123	9.013	9.68	7.18	A1F	5/16	1-3/8	3-5/8	1-5/16	1	4	53.8
P56-14M-115-F	\$ 285.00	56	9.825	9.715	10.38	7.88	A1F	5/16	1-3/8	3-5/8	1-5/16	1	4	61.7
P60-14M-115-F	\$ 340.00	60	10.527	10.417	11.06	8.50	A1F	5/16	1-3/8	3-5/8	1-5/16	1	4	70.6
P64-14M-115-J	\$ 365.00	64	11.229	11.119	11.68	9.25	D1F	1/4	1	4-1/2	1	1-7/16	4-1/2	90.0
P68-14M-115-J	\$ 382.00	68	11.930	11.820	12.50	10.00	D1F	1/4	1	4-1/2	1	1-7/16	4-1/2	100.8
P72-14M-115-J	\$ 390.00	72	12.632	12.522	13.19	10.69	D1F	1/4	1	4-1/2	1	1-7/16	4-1/2	112.7
P80-14M-115-J	\$ 450.00	80	14.036	13.926	14.63	12.12	D2F	1/4	1	4-1/2	1	1-7/16	4-1/2	100.8
P90-14M-115-J	\$ 500.00	90	15.790	15.680		14.50	D2	1/4	1	4-1/2	1	1-7/16	4-1/2	89.3
P112-14M-115-J	\$ 620.00	112	19.650	19.540		18.25	D3	1/4	1	4-1/2	1	1-7/16	4-1/2	116.5
P144-14M-115-J	\$ 780.00	144	25.264	25.154		23.88	D3	1/4	1	4-1/2	1	1-7/16	4-1/2	159.5
P168-14M-115-M	\$ 970.00	168	29.475	29.365		28.10	C3	1-13/32	1/16	6-3/4	3/32	1-15/16	5-1/2	261.0
P192-14M-115-M	\$ 1,120.00	192	33.686	33.576		32.25	C3	1-13/32	1/16	6-3/4	3/32	1-15/16	5-1/2	302.0
P216-14M-115-M	\$ 1,690.00	216	37.896	37.786		36.38	C3	1-13/32	1/16	6-3/4	3/32	1-15/16	5-1/2	350.0

FOR BELTS 170MM (6.69 in.) WIDE • 14MM PITCH (14M-170)										FACE WIDTH (F) = 7-3/8				
SPROCKET NUMBER	LIST** PRICE	NUMBER OF TEETH	DIAMETERS				TYPE	DIMENSIONS(INCHES)				BORE RANGE		APPROX WT. LBS.
			P.D	O.D.		I.D.		E	K	L	M	Min	Max •	
				Sprocket	Flange									
P44-14M-170-E	\$ 300.00	44	7.720	7.610	8.34	6.12	A1F	2	2-7/8	2-5/8	2-3/4	7/8	3-1/2	39.1
P48-14M-170-E	\$ 302.00	48	8.421	8.311	8.90	6.50	A1F	2	2-7/8	2-5/8	2-3/4	7/8	3-1/2	49.8
P52-14M-170-F	\$ 320.00	52	9.123	9.013	9.68	7.18	A1F	1-7/16	2-7/16	3-5/8	2-5/16	1	4	64.6
P56-14M-170-F	\$ 330.00	56	9.825	9.715	10.38	7.88	A1F	1-7/16	2-7/16	3-5/8	2-5/16	1	4	73.4
P60-14M-170-J	\$ 430.00	60	10.527	10.417	11.06	8.50	A1F	15/16	2-1/8	4-1/2	1-15/16	1-7/16	4-1/2	93.1
P64-14M-170-J	\$ 460.00	64	11.229	11.119	11.68	9.25	A1F	15/16	2-1/8	4-1/2	1-15/16	1-7/16	4-1/2	103.9
P68-14M-170-J	\$ 490.00	68	11.930	11.820	12.50	10.00	A1F	15/16	2-1/8	4-1/2	1-15/16	1-7/16	4-1/2	115.3
P72-14M-170-J	\$ 520.00	72	12.632	12.522	13.19	10.69	A1F	15/16	2-1/8	4-1/2	1-15/16	1-7/16	4-1/2	128.2
P80-14M-170-J	\$ 530.00	80	14.036	13.926	14.63	12.12	A2F	15/16	2-1/8	4-1/2	1-15/16	1-7/16	4-1/2	119.9
P90-14M-170-J	\$ 610.00	90	15.790	15.680		14.50	A2	15/16	2-1/8	4-1/2	1-15/16	1-7/16	4-1/2	104.2
P112-14M-170-M	\$ 850.00	112	19.650	19.540		18.25	A3	0	1-7/16	6-3/4	5/8	2	5-1/2	205.6
P144-14M-170-M	\$ 1,050.00	144	25.264	25.154		23.62	A3	0	1-7/16	6-3/4	5/8	2	5-1/2	268.2
P168-14M-170-M	\$ 1,360.00	168	29.475	29.365		28.10	A3	0	1-7/16	6-3/4	5/8	2	5-1/2	293.3
P192-14M-170-M	\$ 1,460.00	192	33.686	33.576		32.25	A3	0	1-7/16	6-3/4	5/8	2	5-1/2	334.9
P216-14M-170-M	\$ 2,080.00	216	37.896	37.786		36.38	A3	0	1-7/16	6-3/4	5/8	2	5-1/2	383.6

Weights for all FUL-GRIP bushed items are approximate and include the bushing.

FUL-GRIP is a registered trademark of Maurey Manufacturing Corporation

** List Prices Shown are for Sheave Only. Refer to Page 15 for Bushing List Price and Dimensions.

* Minimum plain bore with no keyway or setscrews

• Maximum bore without keyway